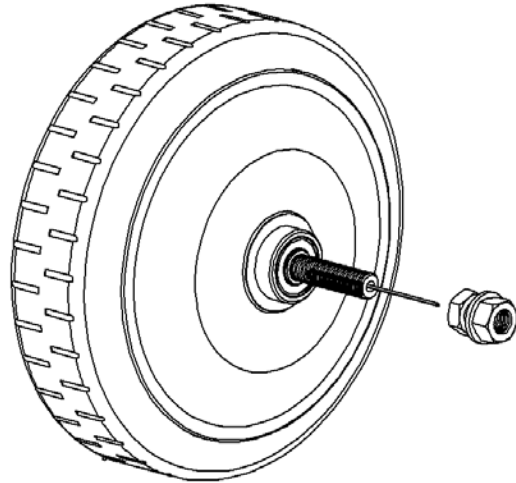


REPLACING THE TIRE SHELL

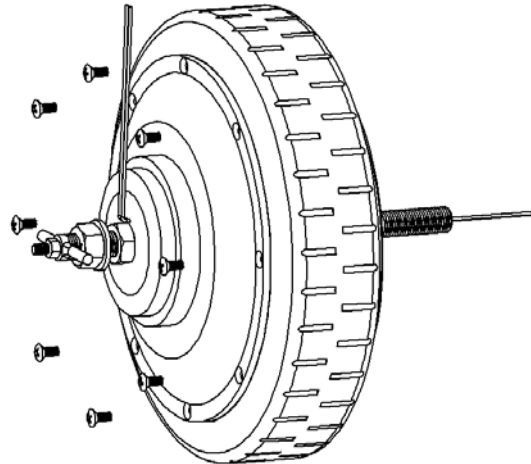
IMPORTANT— FOR SIMPLICITY THE MOTOR AND BRAKE LEADS ARE NOT SHOWN FULL LENGTH.

DO NOT CUT LEADS OR REMOVE CONNECTORS.

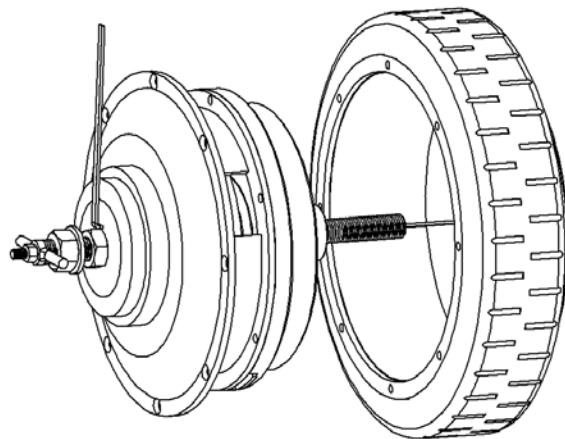
REMOVE THE MOTOR SIDE
AXLE NUTS AND WASHER



REMOVE THE EIGHT (8) BRAKE
SIDE CASE SCREWS



REMOVE MOTOR/GEAR
BOX FROM TIRE SHELL.



USING A NEW TIRE SHELL REASSEMBLE BY REVERSING THE ABOVE PROCEDURE.