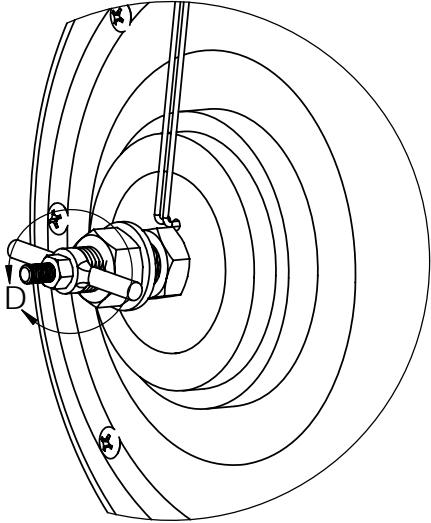


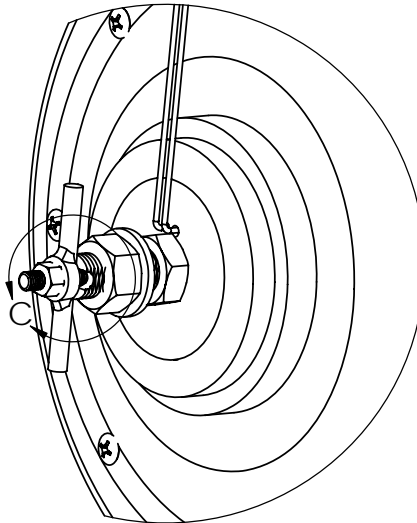
MANUAL RELEASE LEVER OPERATION

BRAKE SHOWN IN NORMAL OPERATIONAL POSITION



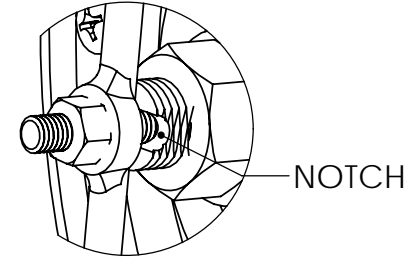
DETAIL A

BRAKE SHOWN IN MANUALLY RELEASED POSITION



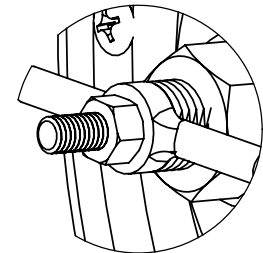
DETAIL B

TO DISENGAGE BRAKE
PULL LEVER OUT AND TURN 90°



DETAIL C

TO RE-ENGAGE BRAKE
TURN LEVER UNTIL IT
RE-ENGAGES WITH NOTCH



DETAIL D