



280-1387M

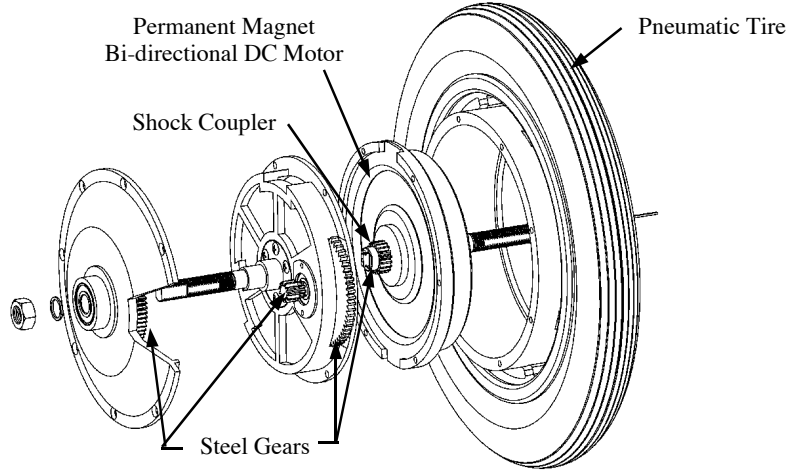


HUB MOTORS
a quality product line of Assembled Products Corporation

12/24/36 Volt DC 12" Silver (Pneumatic Tire)

PATENT
PENDING

Max Capacity: 400 Lbs. [181 kg]
Weight: 11.5 Lbs. [5.2 kg]
Sound Level:
12VDC - <70 db @ 6" [152 mm]
24VDC - <75 db @ 6" [152 mm]
36VDC - <80 db @ 6" [152 mm]



Performance Data @ 12VDC

			Power			Torque		Force @ Wheel Dia.		Speed			Efficiency
	Volts DC	Amps	Watts In	Watts Out	HP Out	Ft-Lbs	N.m	Lbs	N	RPM	MPH	KPH	
No Load	12.10	0.61	7.41	2.02	0.003	0.17	0.23	0.34	0.46	84.2	3.1	4.9	27.3%
Max Eff.	12.07	3.36	40.59	26.49	0.04	2.60	3.53	5.20	7.06	71.7	2.6	4.2	65.3%
Max Power Out (Continuous Duty)	12.01	7.64	91.78	53.31	0.07	6.45	8.75	12.90	17.50	58.2	2.1	3.4	58.1%
Stall / Lock Rotor	12.77	33.00	421.41			26.67	36.19	53.34	72.38	Results will vary.			

Performance Data @ 24VDC

			Power			Torque		Force @ Wheel Dia.		Speed			Efficiency
	Volts DC	Amps	Watts In	Watts Out	HP Out	Ft-Lbs	N.m	Lbs	N	RPM	MPH	KPH	
No Load	24.07	0.80	19.35	10.67	0.01	0.46	0.62	0.91	1.24	164.5	6.0	9.6	55.1%
Max Eff.	24.05	3.47	83.45	63.65	0.09	2.95	4.00	5.90	8.00	152.0	5.5	8.9	76.3%
Max Power Out (Continuous Duty)	23.93	10.87	260.12	173.90	0.23	9.90	13.44	19.81	26.88	123.6	4.5	7.2	66.9%
Stall / Lock Rotor	25.40	58.00	1473.20			45.00	61.07	90.00	122.13	Results will vary.			

Performance Data @ 36VDC

			Power			Torque		Force @ Wheel Dia.		Speed			Efficiency
	Volts DC	Amps	Watts In	Watts Out	HP Out	Ft-Lbs	N.m	Lbs	N	RPM	MPH	KPH	
No Load	36.08	0.67	24.06	5.10	0.01	0.69	0.93	1.37	1.86	246.7	9.0	14.4	21.2%
Max Eff.	36.06	7.04	253.70	195.02	0.26	4.34	5.89	8.68	11.78	228.0	8.3	13.3	76.9%
Max Power Out (Continuous Duty)	35.98	10.14	364.83	245.00	0.33	13.49	18.31	26.99	36.62	185.4	6.7	10.8	67.2%
Stall / Lock Rotor	36.58	63.66	2328.64			67.50	91.60	135.00	183.20	Results will vary.			

Dimensions

