



280-1265M

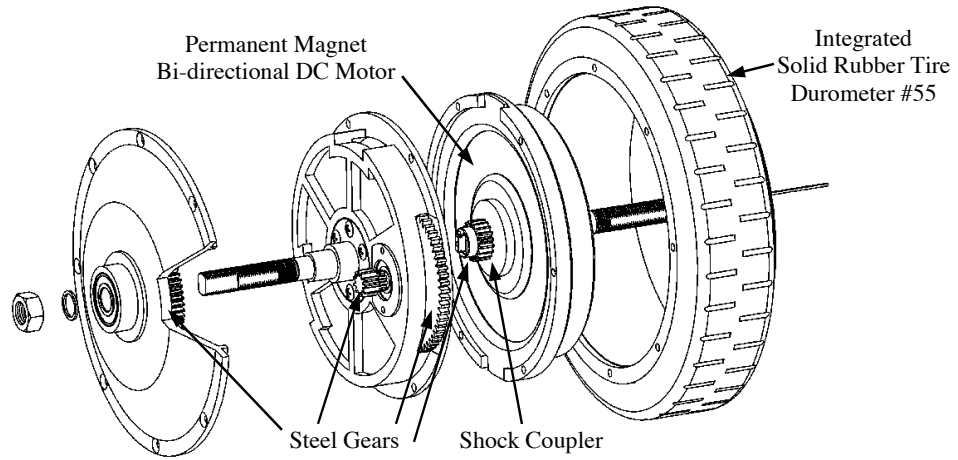


HUB MOTORS
a quality product line of Assembled Products Corporation

12/24/36 Volt DC 8" Silver (Solid Rubber Tire)

PATENT
PENDING

Max Capacity: 400 Lbs. [181 kg]
Weight: 9.6 Lbs. [4.4 kg]
Sound Level:
12VDC - <70 db @ 6" [152 mm]
24VDC - <75 db @ 6" [152 mm]
36VDC - <80 db @ 6" [152mm]



Performance Data @ 12VDC

	Volts DC	Amps	Power			Torque		Force @ Wheel Dia.		Speed			Efficiency
			Watts In	Watts Out	HP Out	Ft-Lbs	N.m	Lbs	N	RPM	MPH	KPH	
No Load	12.10	0.61	7.41	2.02	0.003	0.17	0.23	0.35	0.69	84.2	2.1	3.3	27.3%
Max Eff.	12.07	3.36	40.59	26.49	0.04	2.60	3.53	7.80	10.59	71.7	1.8	2.8	65.3%
Max Power Out (Continuous Duty)	12.01	7.64	91.78	53.31	0.07	6.45	8.75	19.34	26.25	58.2	1.4	2.3	58.1%
Stall / Lock Rotor	12.77	33.00	421.41			26.67	36.19	80.01	108.57	Results will vary.			

Performance Data @ 24VDC

	Volts DC	Amps	Power			Torque		Force @ Wheel Dia.		Speed			Efficiency
			Watts In	Watts Out	HP Out	Ft-Lbs	N.m	Lbs	N	RPM	MPH	KPH	
No Load	24.07	0.80	19.35	10.67	0.01	0.46	0.62	1.37	1.86	164.5	4.0	6.5	55.1%
Max Eff.	24.05	3.47	83.45	63.65	0.09	2.95	4.00	8.84	12.00	152.0	3.7	6.0	76.3%
Max Power Out (Continuous Duty)	23.93	10.87	260.12	173.90	0.23	9.90	13.44	29.71	40.32	123.6	3.0	4.9	66.9%
Stall / Lock Rotor	25.40	58.00	1473.20			45.00	61.07	135.00	183.20	Results will vary.			

Performance Data @ 36VDC

	Volts DC	Amps	Power			Torque		Force @ Wheel Dia.		Speed			Efficiency
			Watts In	Watts Out	HP Out	Ft-Lbs	N.m	Lbs	N	RPM	MPH	KPH	
No Load	36.08	0.67	24.06	5.10	0.01	0.69	0.93	2.06	2.79	246.7	6.0	9.7	21.2%
Max Eff.	36.06	7.04	253.70	195.02	0.26	4.34	5.89	13.02	17.67	228.0	5.6	9.0	76.9%
Max Power Out (Continuous Duty)	35.98	10.14	364.83	245.00	0.33	13.49	18.31	40.48	54.93	185.4	4.5	7.3	67.2%
Stall / Lock Rotor	36.58	63.66	2328.64			67.50	91.60	202.50	274.79	Results will vary.			

Dimensions

